



ANVIL[®]

GSA CONTRACT AND ORDERING INFORMATION FOR: **COMPUTER – A/V VIDEO - MUSICAL EQUIPMENT CASES**

Government, military, and federally accepted shipping cases and containers within special item number (SIN) 617-2. SIN 617-2 covers Anvil[®] Cases used to ship, carry, or containerize electronic and computer related equipment and accessories. The SIN of Anvil[®] Cases is built to conform to rigid A.T.A. Specification 300 Category 1, and MIL-STD 810C/D requirements. Supportive test & evaluation documentation as performed by Wyle Laboratories in March of 1984 are on file and available upon request.

GENERAL SERVICES ADMINISTRATION



AUTHORIZED FEDERAL SUPPLY
SCHEDULE PRICE LIST
REUSABLE TRANSIT CASES FOR:
ALL TYPES OF EQUIPMENT

FSC Group: 81-1-B

Special Item Number: 617-2

FSC Class: 8115

Contract Number: GS-15F-0047L

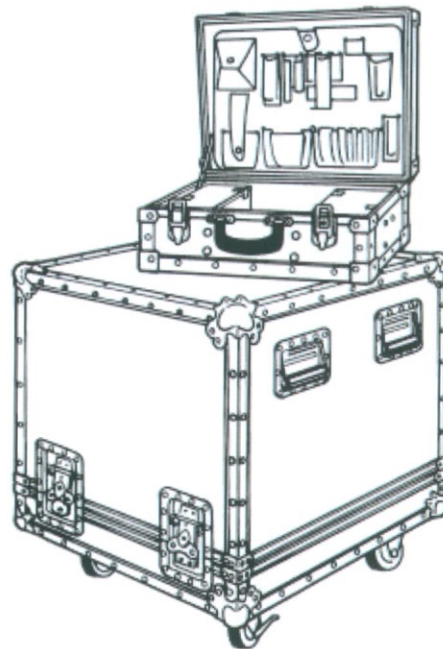
Cage Code: 59288

Duns #: 099005365 Fed TIN: 95-2998937

Period: Aug 8, 2006 - August 7, 2011

Business Size: SMALL

Web: www.Anvilcase.com



Anvil Cases 15730 Salt Lake Avenue City of Industry, CA 91745 (626) 968-4100 - (800) 359-2684 FAX: (626) 968-1703

GSA Contract # GS-15F-0047L

FSC Group 81 Part 1 Section B

SIN 617-2

FSC Class 8115